

What makes the world's best material handling technology?

Semi Automatic Fabric Spreading Machines



FabricMaster™
Semi-Automatic Fabric Spreading

 **Pathfinder**
Cutting Technology

FabricMaster™

SEMI AUTOMATIC FABRIC SPREADING MACHINES

High speed fabric delivery

Pathfinder FabricMaster allows a single operator to spread more fabric in less time!

The semi-automatic FabricMaster incorporates innovations not found even in more expensive fully automatic systems and will often out perform these systems.

Fabric and labour savings are achieved immediately with a rapid return on investment.



Edge Control

Electronic edge control integrates sensors to monitor the fabric selvedge ensuring that each layer is accurately positioned. A manual override function is included for difficult materials.



Touch screen user experience

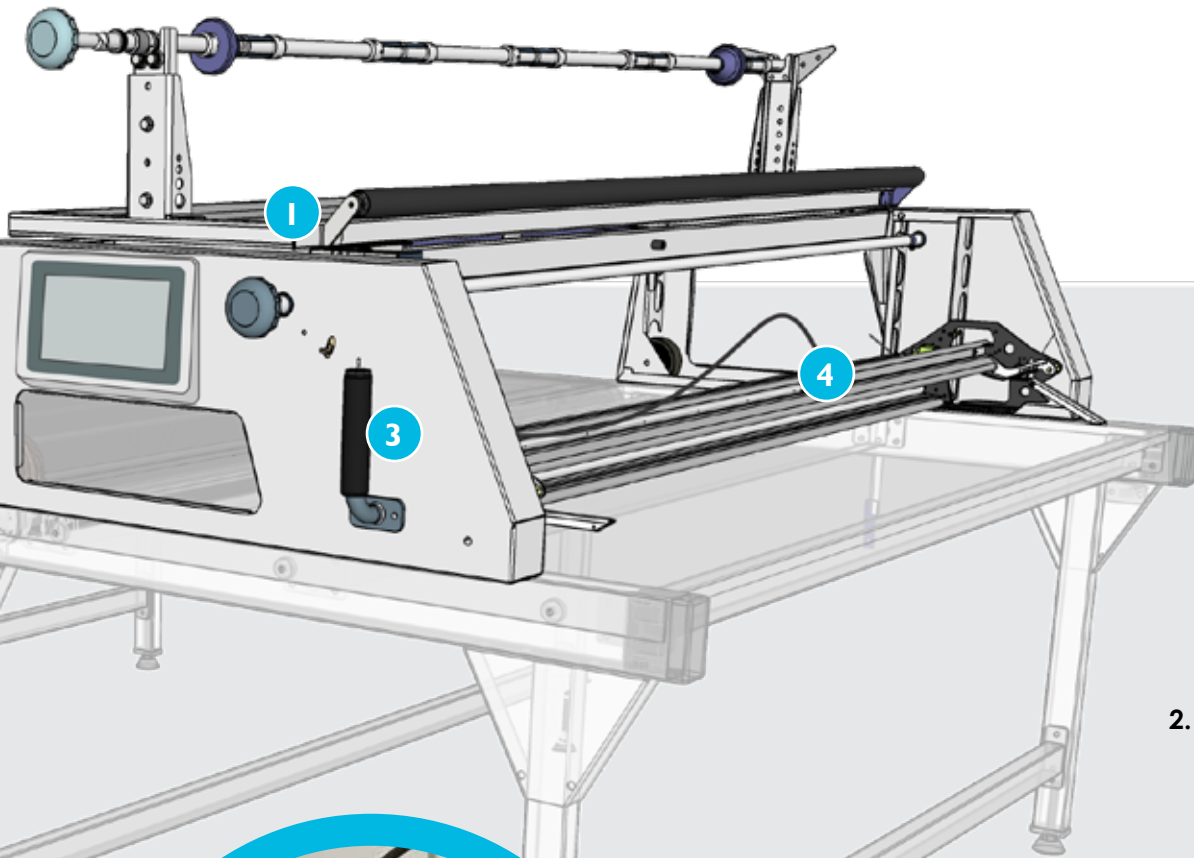
A colour touch screen provides the user with an intuitive display for ply counting and provides operational diagnostics.

Loaded with features and benefits to maximize profitability

- Low purchase price and higher productivity compared to fully automatic systems
- Save labour and time (*one operator*)
- Compatible with most existing tables
- Robust and reliable design
- Face-up or Face-to Face (*optional catcher required*)
- Up to 60kg (132lb) roll weight capacity
- Loading lever
- Automatic cutting mechanism
- Colour touch screen panel
- Automatic blade sharpening
- Modular control box
- Ply counter (Count up/down)
- Electronic edge control
- Safe low voltage control system
- Fixed fabric catcher

Material Handling solutions that work.

Fast, economical and ergonomic



1. Fabric carriage
2. Touch screen interface
3. Control Handle
4. Lateral Cutter

Note: Fabric Master spreading machines can fit most tables but are optimised to work best with Pathfinder EasyLoader conveyor systems.



Cutting

The cutter box cuts rapidly across the fabric and automatically returns. Waste is minimised by cutting square to the table. The automatic diamond sharpening system ensures that the knife is always sharp. Quickly switch between face-up and face-to-face spreading without removing the cutter.



Fabric Catcher

Holds each layer during the spread.

FabricMaster™

Technical Specifications*

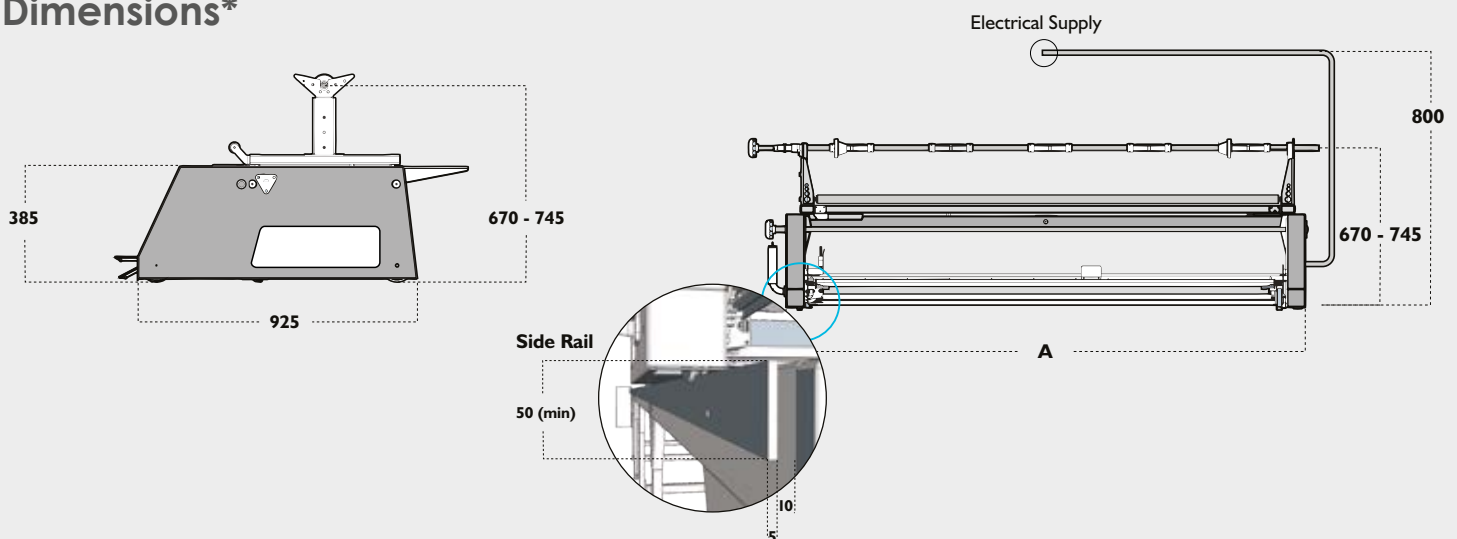


FabricMaster Models*

Spreader		FM180	FM220
Maximum spread width	(mm/in)	1800 / 71	2200 / 86.6
Maximum spread height	(mm/in)	230 / 9	230 / 9
Width (A) (including power mast and cloth bar)	(mm/in)	2300 / 90	2700 / 106
Weight	(Kg/Lb)	75 / 165.3	75 / 165.3
Electrical Supply (1 PH, 50/60 Hz, 220V - 240V)	kW/HP	0.3 / 0.4	0.3 / 0.4
Cloth bar dia.	mm/in	19 / 0.75	19 / 0.75
Max roll weight	Kg/Lb	60 / 132	60 / 132
Max roll dia.	mm/in	350 / 13.8	350 / 13.8
Fabric roll core (id)	mm/in	32 - 58 / 1.2 - 2.2	32 - 58 / 1.2 - 2.2
Catcher			
Width	(mm/in)	2020 / 79.5	2420 / 95.3
Length (clamping bar down)	(mm/in)	470 / 18.5	470 / 18.5
Height (clamping bar down)	(mm/in)	300 / 11.8	300 / 11.8
Weight	(Kg/Lb)	18 / 39.7	22 / 48.5
Fixed catcher function (standard)		Face-up spreading	Face-up spreading
Moving catcher function (optional)		Face-up / Face-to-face spreading	Face-up / Face-to-face spreading
Table Requirements		<i>(Optional modular spreading table available from Pathfinder)</i>	
Width	(mm/in)	2000 - 2080 / 77.7 - 81.8	2000 - 2080 / 77.7 - 81.8
Guide rail width:	(mm/in)	5 / .19	5 / .19
		Positioned on operator side	Positioned on operator side

* Specifications are subject to change

Dimensions*



Manufactured by

Pathfinder Australia Pty Ltd
 12 Dib Court
 Tullamarine, VIC 3043, Australia
 Ph: +61 3 9338 3471
 Email: sales@pathfindercut.com
 Web: www.pathfindercut.com

Pathfinder Cutting Technology LLC
 1901 N Gaffey Street, Unit G
 San Pedro, CA, 90731, USA
 Tel: +1 (424) 342 9723
 Email: salesusa@pathfindercut.com
 Web: www.pathfindercut.com

Pathfinder Cutting Technology LLC
 5623 - 5625 W74th Street
 Indianapolis, IN, 46278, USA
 Tel: +1 (317) 349 0002
 Email: salesusa@pathfindercut.com
 Web: www.pathfindercut.com

Sept 2019